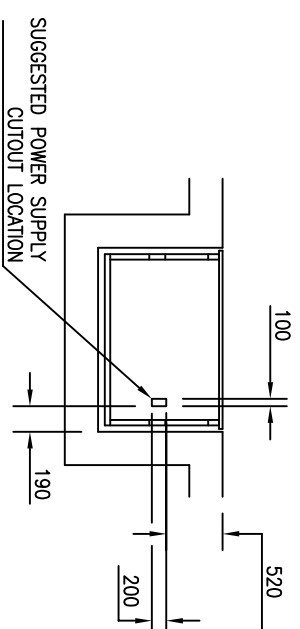


FLAT STEPS	STEP WIDTH	A	B	C	D	E	F	H
2	1000	1016	1550	1208	1629	1500	2589	ESCALATOR RISE

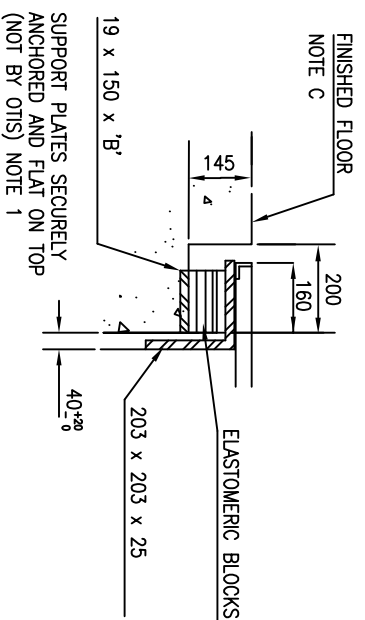
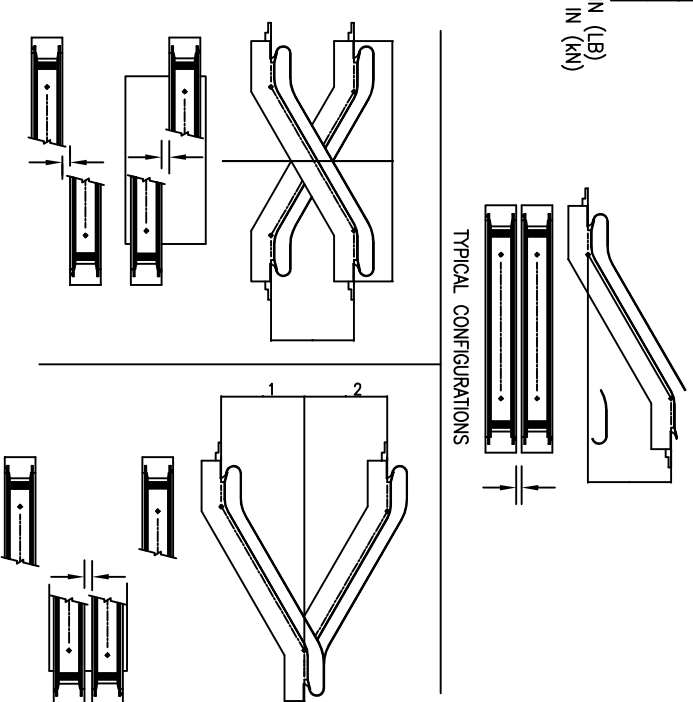
SUPPORT REACTIONS		
STEP WIDTH	bottom support vertical reaction	top support vertical reaction
1000	Feet → lb 271*L + 517	271*L + 1686
	Meter → kN 3.95*L + 2.3	3.95*L + 7.5

INPUT BEAM TO BEAM (L) IN (Feet) YOU WILL GET SUPPORT REACTIONS IN (LB)  
INPUT BEAM TO BEAM (L) IN (Meter) YOU WILL GET SUPPORT REACTIONS IN (KN)

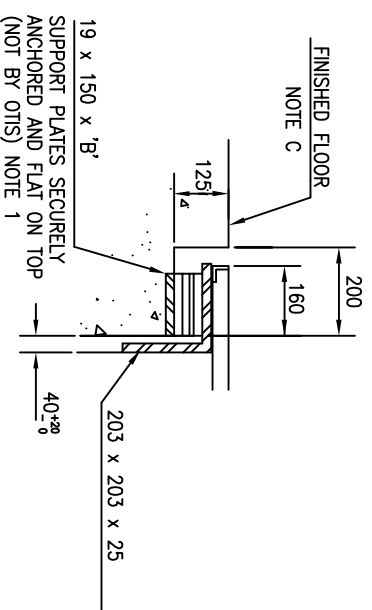
STEP WIDTH	ESCALATOR BEAM TO BEAM CALCULATION
1000	$L = 1.732 H + 16' 2-11/16"$ INPUT RISE IN FEET YOU WILL HAVE BEAM TO BEAM IN FEET & IN. $L = 1.732 H + 4.945$ INPUT RISE IN METER YOU WILL HAVE BEAM TO BEAM IN METER.



SECTION S-S

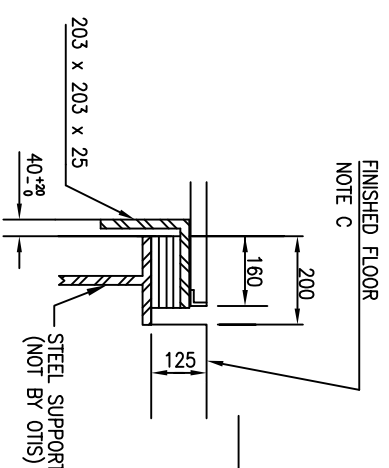


SLIDING SUPPORT  
(WITH EXPANSION JOINT)

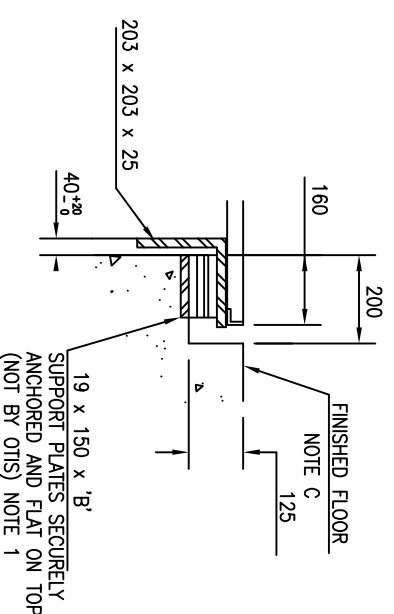


CONCRETE SUPPORT  
(WITHOUT EXPANSION JOINT)

LOWER END DETAILS



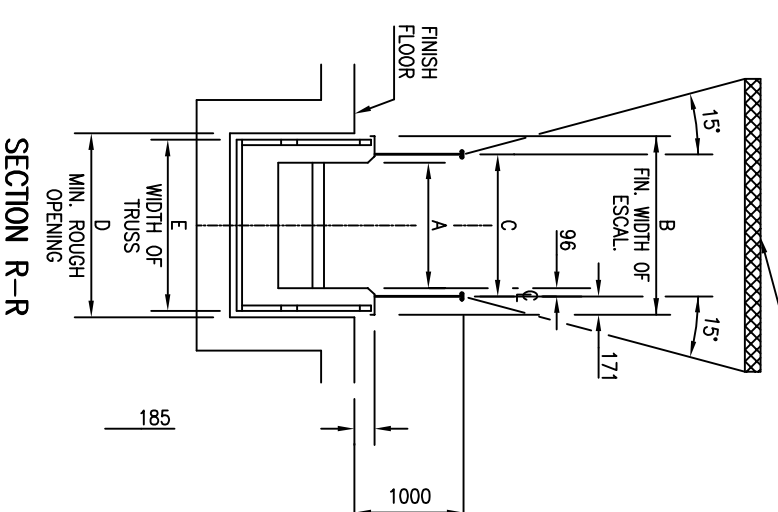
STEEL SUPPORT  
(WITHOUT EXPANSION JOINT)



CONCRETE SUPPORT  
(WITHOUT EXPANSION JOINT)

UPPER END DETAILS

CANOPY FOR OUTDOOR INSTALLATION  
OVER WHOLE ESCALATOR (CANOPY NOT BY OTIS)



SECTION R-R

NOTE - DO NOT SCALE THIS DRAWING

SHEET 2 OF 2

REV	DATE	DESCRIPTION OF REVISION	A	B	C
R-0	16.08.10	FOR TENDER PURPOSE			

CONSULTANT:  
C.V.KAND CONSULTANTS  
PRIVATE LIMITED  
201, 202 5th FLOOR SWER, PUNE-411045,  
PHONE: 020 6529444

CLIENT:-  
PIMPRI CHINCHWAD MUNICIPAL CORPORATION  
PIMPRI PUNE - 411 018,  
PH-+91-20-2742511 FAX:+91-20-2742560  
E-mail:pimpri@pimpri.com Web: www.pimpri.org

NAME OF WORK:  
Design and Construction of Bridge on Pavana  
River, Flyover/Viaduct and ROB with  
Approaches & Ramps on Kalewadi Phata to  
Dahu Alandi Road

TITLE:  
GENERAL ARRANGEMENT DRAWING  
FOR ESCALATOR OF FLYOVER

DRS:KONKAR/PUNE/MUMBAI/PNG-M/ESCALATOR/02  
REVISION NO.: R0 DATE:16-08-2010  
DRAWN BY:(A) CHECKED (C) APPROVED (D)  
PURPOSE FOR TENDER